

KENDRICK GAZETTE

VOLUME 62

KENDRICK, LATAH COUNTY, IDAHO, THURSDAY, NOVEMBER 6, 1952

NO. 45

WHAT JULIAETTA FRIENDS ARE DOING THESE DAYS

How Juliaetta Voted

Republican Ticket:	
For President —	Dwight D. Eisenhower161
Representative in Congress —	John T. Wood134
State Senator —	William C. Moore125
State Representatives (2) —	Elvon Hampton118
County Commissioner (1st Dist) —	Harold Snow132
County Commissioner (3rd Dist) —	Alvah Strong127
Sheriff —	Eugene Taylor191
Treasurer —	Geo. K. Moody136
Probate Judge —	Edna M. Theriault173
Prosecuting Attorney —	Lloyd G. Martinson135
Assessor —	J. Morey O'Donnell117
Democrat Ticket:	
For President —	E. Dan Pederson116
Representative in Congress —	E. R. Short177
State Senator —	Adlai E. Stevenson70
State Representative in Congress —	Gracie Pfost96
State Senator —	George F. Brocke94
State Representatives (2) —	Kenneth L. Holmes97
County Commissioner (1st Dist) —	Ben P. Shuey73
County Commissioner (3rd Dist) —	Frank W. Mallory81
Sheriff —	Edward Solberg39
Treasurer —	Ralph A. Wherry87
Probate Judge —	Wayne L. Loveless73
Prosecuting Attorney —	Melvin J. Alsager96
Assessor —	John M. Bowman93

Hob-Goblin Parade

Over 70 children and their parents, for a total of about 100, attended and took part in the Hob-Goblin parade sponsored by the Community church last Friday evening. After the parade all returned to the church basement where games were played and treats distributed. It had a most noticeable effect in keeping the small fry off the street Halloween eve. At the parade prizes for the funniest costume went to Donna Johnson; spookiest, Lorraine Hazeltime; most original, Janet Eldridge; tallest, Wilma Wilson; prettiest, Marilyn ZumHofe; ugliest, Ralph Lee; smallest, Linda Wilson. Everyone seemed to have a good time.

INTERESTING NEWS BITS FROM THE SOUTHWICK AREA

Bazaar and Dinner Scheduled

The Ladies Aid bazaar and dinner will be held in Southwick, Thursday, November 6, at the Ladies Aid hall, beginning at 5:30. There will be a chicken dinner and many lovely hand made articles for sale. Everybody is welcome — everybody come! Homemakers Club Meeting Thursday, November 13, the Southwick Homemakers Club will meet at the Lois Thornton home. A report on the state convention will be given. Election of officers is also scheduled, and it will be appreciated if all members will be present.

Other News

Virgil Harris is at home again — his work having been transferred to Helmer, and he drives back and forth. Mrs. Odetta Clear of Clarkston, Wash., was a visitor Sunday at the Leland Marvin and Milton Benjamin homes. Johnnie Longteig and Don Cantril have gone to the Florence-Elk City district on a big game hunt. Mrs. Hattie Southwick and Millie Harris were guests Sunday evening in the Given Mustoe home. Mr. and Mrs. Jack Mustoe drove to Page, Idaho, this past week-end, where they were guests in the home of Mr. and Mrs. Carl Mustoe. Mr. and Mrs. Edwin Hanks and son of Lewiston spent the week-end with Mrs. Hanks' parents, Mr. and Mrs. Howard Southwick. Mr. and Mrs. Virgil Harris and family spent Sunday with the Oral Craig family at Kendrick. Joyce Marvin was a caller last week at the home of Leah Brown at Teakcan. Mr. and Mrs. Russell Perkins and daughter Hazel spent Monday in Lewiston and Clarkston. The Southwick school is enjoying a vacation Monday and Tuesday of this week — along with the Kendrick schools. The children are recuperating from a plentiful "Trick or Treat" Halloween.

SCHOOL NOTES

Annual Sale at Juliaetta

The annual Juliaetta School sale will be held next Friday evening, Nov. 7, at 7:30 p. m. There will be singing by the children, dresses, an auction sale and lunch of pie, ice cream and coffee. Roy Glenn will be the auctioneer and Eugene Taylor the clerk. Friends of the school are asked to donate articles to be sold, the proceeds going for school activities. Suggested articles for the sale are: Fruit, butter, eggs, vegetables, cream, poultry (alive or dressed), grain, beans, fancy work, clothing, dishes, piece of furniture, household articles or farm tool (new or used) — in fact, anything you can spare and some one else might want. Bring it, and it will be auctioned off to the highest bidder. No admission charge. Students Enjoy Vacation Students of the Kendrick High school — yes, and the instructors too, took fullest advantage of the two-day hunting holiday this week, most of them spending it in search of game, either elk or deer or birds. It should be borne in mind, however, that no excuse will be accepted in the future, for an absence "on a hunting trip."

Grange Elects Officers

The Kendrick Grange held its annual election of officers Tuesday evening, there being only 22 members present. Results are as follows: Andy Cox, Master; Robert Draper, Overseer; Herman Johnson, Lecturer; Arthur Foster, Steward; Gerald Ingle, Assistant Steward; Jo Bencosoter, Chaplain; Darwin Tarry, treasurer; Floy Cuddy, secretary; Manning Onstott, Gate Keeper; Elsie Onstott, Ceres; Jessie Bateman, Pannona; Nettie Penland, Flora; Grace Ingle, Lady Assistant Steward; Clara Kuykendall, Home Economics chairman; Frankie Bencosoter, Executive Chairman.

PERSONALS AND NEWS ABOUT KENDRICK FRIENDS

Mrs. Wallace Emmett returned on Wednesday from Lewiston, where she had spent some time visiting with Mrs. Fred Crocker.

George Crocker, Portland, was in town Monday on return from a successful big game hunt in the Selway country. He had his meat cut and wrapped here and visited with old friends.

Mr. and Mrs. Burton Souders left Monday on a month's vacation trip. They headed out for south Idaho, stopping first at Gooding, will then go on into Nevada, and from there on have no definite plans, but will probably visit in old Mexico. Burt says it is their first vacation in years and they're going to enjoy it to the fullest.

Verner Davis, Pendleton, Oregon, was in town Saturday transacting business and visiting with old friends. He went on from here to Craigmont to see his parents.

Mr. and Mrs. Louis Porter of Orofino were Saturday guests of Mr. and Mrs. Erwin Swenson. The men spent the day hunting.

Mr. and Mrs. Bob Magnuson are now settled in Lewiston for the winter. Their friends may find them at 523 Prospect.

Mrs. Herb Millard has received word from her husband that he is now stationed at Camp Roberts, Calif., with Btry C, 489th F. A. Bn.

Wade Keene reported in with a deer about 7:20 Saturday morning. Wade said he made his kill about day light, dressed the animal, and was back in town, washed up and ready for breakfast at 7:30! Talk about luck!

Parker McCeary, accompanied by three school chums, Jerry Torey, John Schaffer and John Booth, all from the U. of I., spent Saturday afternoon and Sunday morning here hunting.

Benny Cook was home over Saturday and Sunday from Pullman. He has received his call from the Armed Forces, and leaves Thursday, Nov. 13, for Spokane.

C. E. Harris received word last Thursday that his son-in-law and daughter, Sgt. and Mrs. Delbert Nicholson of Bettevavia, Calif., are the proud parents of a baby boy, born to them Oct. 28, weighing 9 pounds and 15-ounces. Mrs. Harris is with them.

Mr. and Mrs. W. L. McCreary were dinner guests of Mr. and Mrs. J. M. Lyle at Moscow Sunday afternoon.

Mr. and Mrs. Jack Kuykendall and Mr. and Mrs. Jim Farrington left Friday morning for a big game hunt.

Mr. and Mrs. Bill Horn and baby from Camp Y were afternoon and dinner guests Sunday of Mr. and Mrs. Kirk Wilson.

Jim and Kirk Wilson have returned to work after a hunting trip to Fog Mountain last week — returning with an elk each.

Mrs. L. A. Bartlett is visiting her daughter, Mrs. Kirk Wilson and family for a few days this week while Mr. Bartlett and Mr. Tressler are hunting in the Bovill area.

Mr. and Mrs. Ed. Brown have received word from their son, Sgt. Kenneth Brown, the call arriving Tuesday morning, saying that he was now in Camp Kilmer, New Jersey, and on his way home. Kenneth has a half year's leave and has been there last spring. He will come later on a shipload of wives and children.

Sgt. Leonard Weber, Juliaetta, was in town last Saturday visiting with old friends. Sgt. Weber returned last week from Korea, his honorable discharge papers in his pocket, after more than two years of service. He says he is very glad to get home. His unit was stationed not far from that of Don Brown and Byard Parks, so the three got together once in a while and swapped news of home. He added that the Kendrick Gazette was a most welcome item at mail call, and came through quite regularly.

Lt. Col. and Mrs. Aaron Blewett and children came down from Moscow Saturday to stay over night with the R. L. Blewett family. Early Sunday morning R. L. Blewett and his brother Aaron joined Ben P. Cook and son Gordon and brother John Hoduffer of Genesee, all going on to Craigmont where they joined Kenneth Hoduffer. From there they went on a hunting trip, bagging three deer. That afternoon Mrs. Aaron Blewett and children, accompanied by Mrs. R. L. Blewett and son Billy and Mrs. Ben P. Cook drove to Craigmont to spend the remainder of the day with Mrs. Hoduffer, and greet their men folk when they returned from the hunt, all returning here that evening.

Sunday dinner guests of Mr. and Mrs. Ed. Nelson were Mr. and Mrs. Harry Wegner and son Alan of Pullman, and Mr. and Mrs. Howard Johnson and sons Keith and David of Fabyan, Alberta, Canada.

Mrs. Ella Abercrombie (nee Elsie Wegner) of New Castle, Wash., visited last week with her cousin, Mrs. Elsie Deobald.

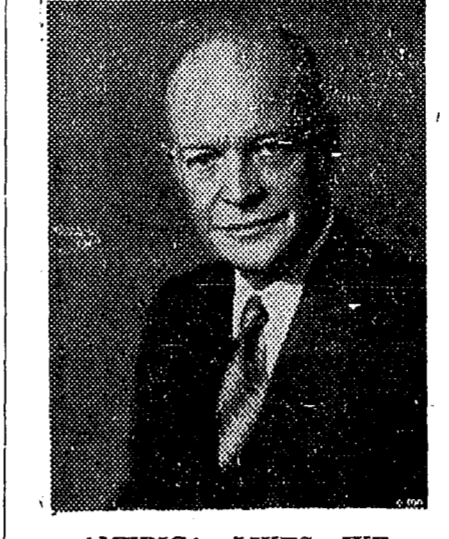
The Elmo Eldridge home in the west part of town is receiving a new porch. A new ceiling is also being put in the kitchen, and other improvements made.

Mr. and Mrs. Byard Davidson and son Roy of Pullman were Sunday callers in the W. A. Watts home.

Mr. and Mrs. Tom Keene and Mr. and Mrs. Frank Abrams drove to Spokane last Wednesday to attend "South Pacific."

Mrs. Nolan Weeks and children spent the week-end in Moscow with her mother, while Nolan was hunting.

AMERICA LIKES IKE



Washington, D. C. (NINS) —

For the next four years (at least) the official acts of this nation will be sealed by the signature "Dwight David Eisenhower." But to all America he will still be "Ike" — President Ike, now that he's received the ultimate promotion that only the people, by their individual, soul-searching decision could confer.

Few men in the world's military history have risen from obscurity to the pinnacle of their profession as swiftly as our President-elect. And probably no general before him ever commanded such a mighty host under such organizational difficulties and in the face of so many national prejudices and jealousies. But through it all as his authority grew and his prestige mounted, he remained just plain "Ike."

This, we like to believe, is the basic, underlying reason he could blow on the embers of utter defeat in the Lowlands and France and kindle from them the flame of confidence that swept across Europe to consume the Nazi might.

Because he's just plain "Ike," his fellow citizens have made him President. That's why they listened respectfully to his heroic efforts to become an orator. But they didn't want words, they hungered for leadership and thirsted for forthrightness. They wanted a man who could face squarely the bleakness of Korea, the rising tide of Communism that threatens to engulf the globe, foreign aid policies that can destroy the aided, and domestic policies that (including "the Mess") undermine the self-respect, the strength, the very freedom of the last really free people on earth.

And bit-by-bit build a battle plan and execute it in the face of the terrible odds appeasement has raised against us.

In Ike, the American people believe they have such a man. And they have a man, too, that they would like to invite home to dinner — whatever street they live on.

HOW KENDRICK VOTED

Republican Ticket:

For President —	Dwight D. Eisenhower166
Representative in Congress —	John T. Wood116
State Senator —	William C. Moore82
State Representatives (2) —	Elvon Hampton123
County Commissioner (1st Dist) —	Harold Snow129
County Commissioner (3rd Dist) —	Alvah Strong127
Sheriff —	Eugene Taylor202
Treasurer —	Geo. K. Moody107
Probate Judge —	Edna M. Theriault189
Prosecuting Attorney —	Lloyd G. Martinson131
County Assessor —	J. Morey O'Donnell127
County Coroner —	E. Dan Pederson120
Justice of the Peace (2) —	P. G. Candler202
Democrat Ticket:	
For President —	E. R. Short202
Representative in Congress —	J. G. Travis10
State Senator —	Adlai E. Stevenson121
State Representative in Congress —	Gracie Pfost155
State Senator —	George F. Brocke198
State Representatives (2) —	Kenneth L. Holmes142
County Commissioner (1st Dist) —	Ben P. Shuey137
County Commissioner (3rd Dist) —	Frank W. Mallory134
Sheriff —	Edward Solberg74
Treasurer —	Ralph A. Wherry171
Probate Judge —	Wayne L. Loveless123
Prosecuting Attorney —	Melvin J. Alsager141
Assessor —	John M. Bowman154
Constable —	Arthur Foster7

In the Kendrick precinct only 10 that were registered did not vote — a total of 291 casting ballots. Of the ten who failed to vote, some were away, some deceased, some moved to another precinct.

Commercial Club Meeting

The Kendrick Commercial Club will meet next Wednesday evening, November 12, with the 6:30 dinner being served at Burt's Confectionery. The business session to follow will be held in the Firemen's Hall.

Plans will be laid for the annual Christmas treat program, and there are other matters of importance to come before the group.

All members and their friends are urged to be present. Remember the date and hour — and be there.

Wins \$100 Prize Money

Tom Keene, as owner of the Red Cross Pharmacy (A Rexall Store) was advised in a letter dated Oct. 28, that he had been awarded \$100 as first prize in the National Rexall Ad-Vantages contest.

Under terms of this contest in which 10,000 stores take part, if a suggestion for improvement of sales is offered, considered worthy, and published in the monthly Rexall magazine, a \$5.00 award is made.

During the last year Tom has had five entries published. Then to go on and win the contest which took in the whole year and embraced the nation, and be declared the national winner was quite a feat in anybody's book! Congratulations, Tom!

INTERESTING HAPPENINGS IN THE LENDEX AREA

(Delayed)

Mr. and Mrs. Cleon McAllister and family were Sunday dinner guests in the home of Mr. and Mrs. Lester Weaver.

Rev. and Mrs. Norbo and children were Sunday dinner guests of Mr. and Mrs. Frank Lyons. Afternoon callers were Mr. and Mrs. George Lyons and children, Mary Ellen Weaver, Jo Darby and Mr. and Mrs. John Darby.

Sunday guests in the Robert Chilberg home were Mr. and Mrs. Lloyd Candler of Juliaetta; Mr. and Mrs. Wayne Thornton and children of Kendrick and Mr. and Mrs. Don Candler from Bovill.

Mr. and Mrs. Verl Jessop and Dale Erlwine from Potter, Nebraska, were guests last week in the home of their uncle, Gil Erlwine and family.

Monday afternoon callers in the home of Mr. and Mrs. Arlie Allen were Mr. and Mrs. Frances Phelps of Orofino. Mr. and Mrs. Felix Holt and daughters of Lewiston Orchards spent Sunday with Mr. and Mrs. Gil Erlwine and son Jerry.

Mrs. Wm. Chilberg is visiting this week in Clarkston, with Mrs. Lettie Israel, and son Marlyn.

(This Week)

Owing to election day and the W. M. A. bazaar and supper being held during the first week of November, the meeting of the Friendly Neighbors Club will be postponed until Wednesday afternoon of the second week, and will be held at the home of Mrs. Louis Alexander, with Mrs. Ernest Grim and Mrs. Gil Erlwine hostesses.

Mr. and Mrs. J. B. Boyd of Puyallup, Wash., were guests last week in the home of her brother, Ernest Grim and family.

Mr. and Mrs. Elmer Browleit and baby daughter of Colfax, Wash., visited her parents, Mr. and Mrs. Al Pederson and family, last week.

Robert Chilberg and children were Thursday evening callers in the home of Mr. and Mrs. Gil Erlwine.

On Friday night the "Trick or Treat" goblins were out in full force. Chaperoned by Bill Zimmerman and Billy Wilson. They were chaperoned by Mrs. Bill Zimmerman and Mrs. Dick Koenen.

Mr. and Mrs. Phil Bahr are visiting relatives in California for a time — and have missed the beginning of our really "hippy" weather. The Puckett logging operations here were closed down on Saturday to allow workers to hunt on the opening day of the big game season.

Bob McCall from Kendrick and Felix Holt from Lewiston Orchards spent Saturday night with Jerry Erlwine and the three hunted in the Cedar creek canyon Sunday morning.

Billy Wilson returned from his big game hunting trip in the Fog Mountain area early in the week — having gotten his game.

Don't forget the W. M. A. supper and sale Friday evening, Nov. 7th, with serving of the family style supper to begin at 6:00 o'clock and the auction at 8:00 o'clock.

Sunday dinner guests of Mr. and Mrs. George Lyons were Mr. and Mrs. Frank Lyons, Clem Lyons, Mr. and Mrs. Lester Weaver, Mary Ellen Weaver and Mr. and Mrs. Theodore Weaver and children, the latter of Lewiston.

Rev. Norbo and Raymond Whybark were Sunday dinner guests of Mr. and Mrs. Al Pederson.

Gary, Shirley and Dale McAllister are house guests in the Al Pederson home, while their parents are away on a hunting trip.

Mrs. Arlie Allen visited with her son, Melvin Garner and family at Pierce, from Wednesday until Sunday, at which time they brought her home. Mrs. Garner and children remained over night, so that Linda might be taken to a doctor before returning home.

Mrs. Marion Souders, Leila Grayson and Patricia Grayson made a business trip to Lewiston on Monday. They also visited Mr. and Mrs. Robert Grayson and daughters in Clarkston — this being their first opportunity to welcome the newest daughter.

Mr. and Mrs. Melvin Garner and children, Mrs. Arlie Allen, Marjory Foster and Clarence Alexander were Sunday afternoon callers in the Marion Souders home.

Arlie Allen spent Sunday afternoon in Juliaetta, working on the new church.

Parents of Daughter

Mr. and Mrs. Robert Lind, Moscow, are the parents of a daughter, born to them Wednesday morning, Oct. 29, at the Gritman Memorial hospital, Moscow. The little lady weighed in at 6 pounds and 14 ounces.

Mother and babe are doing nicely — and papa is expected to recover!

NEWS ITEMS ABOUT LELAND RESIDENTS AND FRIENDS

W. S. C. S. To Meet Nov. 6

The Ladies of the Leland W. S. C. S. will meet on Thursday, Nov. 6th, with Mrs. Julia Flesman at the Herman Johnson home, for their regular business and devotional meeting.

The ladies wish to thank everyone who helped with the bazaar — it was a grand success. The sum of \$550 was taken in.

Homemakers Club To Meet Nov. 12

The ladies of the Homemakers Club will meet with Mrs. Lloyd Craig on Wednesday, November 12, at 1:30 o'clock. Mrs. Chas. Hoffman and Mrs. Roy Craig will demonstrate how to cut a turkey for freezing.

Other News

Arlene and Carol Ann Flesman of Clarkston visited with their uncle and aunt, Mr. and Mrs. Lloyd Craig, from Wednesday until Sunday.

Mrs. I. Catto of Canada, spent Thursday afternoon with Mrs. Dora Heffel.

Miss Margaret Dagefoerde of Rockford, Wash., Mrs. Jesse Heffel and Mrs. Wilbur Corkill were Thursday afternoon callers at the Roy Craig home.

John Vincent of Gold Hill was a Friday dinner guest of Mr. and Mrs. Ervin Draper.

Mr. and Mrs. Chas. Hoffman were Sunday dinner guests of Mr. and Mrs. Donald Morgan at Lenore.

Mr. and Mrs. Roy Craig and daughter Paige and Kaye Weyen were Friday supper guests of Mrs. Oral Craig.

Mr. and Mrs. Willis Thornton and son Douglas of Palouse were Saturday night and Sunday guests of his parents, Mr. and Mrs. Jesse Thornton. Other Sunday guests were Mrs. Allan Medalen and son Eric, and Mr. and Mrs. George Baugh and son Norman, the latter of Orofino.

Mr. and Mrs. Robert Draper were Sunday guests in the home of their daughter, Mrs. Billy Deobald and family, in Pullman.

Mrs. Dora Heffel was a Monday guest of Mrs. Liddie Ameling in Kendrick.

How Latah County Voted

Republican Ticket:	
For President —	Dwight D. Eisenhower5,440
Representative in Congress —	John T. Wood4,096
State Senator —	William C. Moore4,468
State Representatives (2) —	Elvon Hampton4,390
County Commissioner (1st Dist) —	Harold Snow5,082
County Commissioner (3rd Dist) —	Alvah Strong4,535
Sheriff —	Eugene Taylor5,004
Treasurer —	Geo. K. Moody4,922
Probate Judge —	Edna M. Theriault6,434
Prosecuting Attorney —	Lloyd G. Martinson4,965
County Assessor —	J. Morey O'Donnell4,097
County Coroner —	E. Dan Pederson4,560
Democrat Ticket:	
For President —	E. R. Short6,639
Representative in Congress —	Adlai E. Stevenson3,289
State Representative in Congress —	Gracie Pfost4,263
State Senator —	George F. Brocke3,675
State Representatives (2) —	Kenneth L. Holmes3,704
County Commissioner (1st Dist) —	Ben P. Shuey2,806
County Commissioner (3rd Dist) —	Frank W. Mallory3,604
Sheriff —	Edward Solberg3,070
Treasurer —	Ralph A. Wherry3,537

Latah County is as traditionally Republican as Nez Perce County is Democratic — and Latah County ran true to form with two exceptions: Gracie Pfost winning over John T. Wood 4,263 to 4,096 — and Melvin J. Alsager winning over J. Morey O'Donnell 4,144 to 4,097.

Of course the votes are not yet officially tabulated, but there seems little likelihood of any change, at least to affect an office.

Power To Be Off

Next Sunday, November 9, between the hours of 12:30 p. m. and 3:30 p. m. the Juliaetta Kendrick area, supplied by the Washington Water Power Co., and all REA lines served out of Juliaetta, will be without electric power or light, as it must be turned off to permit the installation of a new huge transformer at the Juliaetta sub-station.

The transformer arrived at that town last Saturday on a specially built under-slung flat car, and special heavy-duty equipment had to be brought down from Spokane to haul the big transformer from the railroad car to the sub-station, and put it in place.

It will, however, be necessary to turn off the power for four hours Sunday — between 12:30 and 3:30 p. m., to permit connecting the huge unit to the system. This piece of equipment is part of the change-over to 110,000 volts to the sub-station rather than 60,000.

Huge Turnip Bents Spuds

Phil Johns, Juliaetta, sent to the Gazette office last Friday a turnip which he raised on his farm near that town. He says "it will make a meal for anyone" and we can really believe that, for the big vegetable weighed 8 pounds — even!

(Continued on Page 2)

(Continued on Page 2)

(Continued on Page 2)

(Continued on Page 2)

Christmas Gifts Now

WE WILL LAY-AWAY WITHOUT EXTRA CHARGE

Any Items From Our Large Stock —
Let us suggest a Percolator, Toaster, Lamp, Electric Iron, Radio, Breakfast Set, End Table, Bedroom Set, Daveno, and any one of many other fine items.
A small deposit will hold it 'till Christmas.

GAMBLE'S WESTERN AUTO SUPPLY
OSCAR MEDALEN, Agent
Kendrick, Idaho

Shop Early

Yes, At This Store You Will Find Just The Right Item of Jewelry or Gift To Suit Any Member of the Family or For Any Occasion

Lord and Lady Calvert Watches
Watch Bands — for Him or for Her
Costume Jewelry

REMEMBER: There's a Hallmark Card for Every Occasion

Jewelry & Gift Store

B. Frank Nesbit Kendrick, Idaho

Christmas Lay Away

YES, FOLKS, BELIEVE IT OR NOT, NOW'S THE TIME TO DO YOUR CHRISTMAS SHOPPING . . .

Our Christmas Stock Is Arriving Daily — and is Being Put Out For Your Choosing!

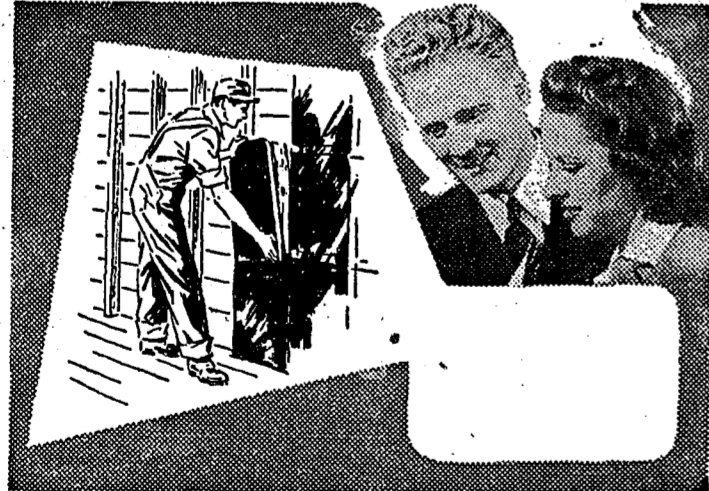
Come in and select that Watch, Watch Band, Wallet, Set of Silverware, Diamond, Bracelet, Ring, Cuff Links, Tie Clasp, Set of Earrings, Toilet Set, Fountain Pen and Pencil Set, Camera, Screen, Projector, or some other item from our displays.

Say "Lay it away" — and your Christmas Gift problem is solved!

(Payment Plan If You Wish)

Red Cross Pharmacy

Your BISMA REX-ALL Store
Lewis B. Keene Phone 941



J. M. Mead Lumber

Products Co.

PHONE DIAL-2401 JULIAETTA, IDAHO

Builders Supplies

— IN STOCK —

- WINDOWS — — DOORS
- CEILING TILE — — PLYWOOD
- INSULATION — — FLOORING
- MASONITE AND SIMPSON BOARD
- MOULDINGS — — DIMENSION — — SHIPLAP
- THICK BUTT SHINGLES — BUILDING PAPERS
- ROLL ROOFING — — SIDING

JULIAETTA ITEMS

Mrs. Walter Hartung and daughters of Johnson, Wash., spent the week-end in the Sam Gruell home.
Mr. and Mrs. Melvin Garner and family of Pierce were Monday evening dinner guests of Mr. and Mrs. Bill Howell.

Mrs. Onal Cope, Mrs. Eugene Taylor, Mrs. Mary Ottosen and Mrs. Crystal Gruell attended the official visit of the State President of the Rebekah Assembly, Mrs. Hattie Alexander of Kellogg. Mrs. Irene Millard was initiated at this meeting. Mrs. Gruell was appointed to act as the Special Representative for Dist. 14.

Mr. and Mrs. J. L. Mead attended the W. S. C.-Idaho game at Pullman Saturday, driving from there to Spokane, where they spent the week-end.

W. L. Flemming of Spokane spent Wednesday and Thursday in the home of Mr. and Mrs. J. M. Mead.

Mr. and Mrs. Ray Howard of Lewiston were Tuesday evening dinner guests of Mr. and Mrs. J. M. Mead.

A 2/c and Mrs. William Skaggs arrived Monday to spend a 23-day furlough in the Ray Scherer home.

Mr. and Mrs. Ben Weatherby were Sunday dinner guests of Mr. and Mrs. James Freeman at Moscow. Jimmy Weatherby spent the week-end there.

Ben Weatherby entertained his Sunday School class at a party last Tuesday evening. There were 12 boys present.

Mr. and Mrs. Fred Kennedy and sons of Sandpoint spent Saturday evening and Sunday in the Eugene Taylor home.

BIG BEAR RIDGE NEWS

There were 86 registered voters in our precinct, and of these 80 cast ballots. In the presidential contest Eisenhower received 47; Stevenson 32 — one voter failing to cast a vote for president.

Mr. and Mrs. Ervin Halseth and daughter Vickie, Jr. of Craigmont, and Mr. and Mrs. Boyd Leland and daughter Lisa Ray of Clarkston, Wn., spent Sunday at the home of their parents, Mr. and Mrs. Ed. Halseth.

Mr. and Mrs. Oscar Slind and son Leland were Sunday dinner guests at the Hoffman home in Clarkston.

Mrs. Ed. Lien and daughter, Mrs. Paul Ellis and son Eddie of Spokane; Hans Lien of Coeur d'Alene Homes; Mrs. Halvor Lien of Moscow; Mr. and Mrs. Tom Long of Kendrick and Mr. and Mrs. E. Bruseth of Clarkston were here Monday for the funeral services of Miss Carrie Sollie of Coeur d'Alene Homes.

Mr. and Mrs. Ingvald Aas and Mr. and Mrs. Clarence Swanbeck, all of Clarkston, were Sunday visitors in the homes of friends here.

Several from here attended the Deary Lutheran Ladies Aid supper and bazaar in Deary, Saturday evening.

Remember the local Ladies Guild pot-luck supper and sale at the Community hall, Tuesday evening, Nov. 11th.

Mr. and Mrs. Claude Jones returned Monday evening from a drive through Montana, and a visit in Spokane.

Verne Dunham made a business trip to Walla Walla, Wash., last week.

Won't you please telephone or mail your news items to our local paper? Thank you!

Mrs. Ruth Perkins, Mrs. F. E. Laney, Mrs. R. V. Harland, Mrs. Walter Taylor, Mrs. O. Anderson and Mrs. Walter Driscoll of Moscow spent Friday with Mrs. Johanna Nelson.

Very Calm Halloween
This past Halloween was, without a doubt, the quietest we have ever witnessed in our 23 years in Kendrick.

Just a few windows had soap or wax on them, there was almost no "trick or treat" — in fact none on the school house hill — and almost nothing was disturbed about town, just a few barrels being moved, and a few lettuce crates distributed here and there. Greatest damage occurred on the schoolhouse hill, where vandals wrecked the school playground slide and cut the aerial used by Ben P. Cook for his "ham radio" sending.

A truck-load of young people from Lapwai were circulating about town most of the evening and "localites" claim they are responsible for the vandalism that did occur.

The lack of window writing can undoubtedly be credited to the "Hob-Goblin" program of the Community church.

Wonderful Weather Continues
The Potlatch area is still enjoying the finest of fall weather — with bright sunny days, and cool, almost cold nights. The coldest to date this fall was hit Saturday night when the mercury dipped to 25 above. High during the day has been running around 65 degrees.

We had a little sprinkle last Wednesday evening and Thursday morning, but a good rain would be most welcome, not only by farmers, but by townspeople, as it would clear the air of the smoke and dust which has been hanging in the canyon for the past week.

However, this kind of weather is easy on the fuel bin or tank, and permits the cleaning and raking of lawns and flower beds in preparation for what is to come.

Pussywillows Now!
John Soumar, well known resident of this area, who gets his mail at Myrtle, came in the Gazette office Wednesday afternoon carrying — of all things — pussywillows. He said that maybe they didn't raise as big spuds over there as the Kendrick area produced — but that they had plenty of pussywillows — and to go along with that he had a cherry tree that was blooming!

Maybe this will produce some word from former residents who now reside in California — but to date — deep silence!

Pledged To Blue Key
U. of I. Moscow — Fourteen University of Idaho men were pledged this week to the university's chapter of Blue Key, national upperclassmen's service honorary.

The new pledges include Gordon Cook, son of Mr. and Mrs. Ben P. Cook, Kendrick.

PERSONAL MENTION

Rev. and Mrs. F. C. Schmidt spent Monday in Moscow, where they attended the monthly meeting of the Parsonage Club. Rev. and Mrs. David Seaman were hosts at this session.

Hunters Plenty Thick

Those in the know say that beyond a doubt there are more hunters than elk and deer in the Bovill area right now — and Sunday was a particularly "vicious" day — as a shot could be heard every few minutes. Galloway Brothers, who packed out an elk for Frank Crocker, said they were never so glad to get out of woods in their life than Sunday — from McGary Butte — as the brush was literally "alive" with hunters! It will be a wonderful thing if the season can run its course without someone being "mistaken for an elk" and killed.

More Huge Potatoes

Mrs. Glen Betts, Southwick, brought to the Gazette office last Thursday a number of huge "White Victor" potatoes, the largest of which weighed in at 2 pounds and 8 ounces. On trying them, we found them to be excellent cookers — but one spud is about enough for the ordinary family.

Mrs. Betts says the hard, dry ground made digging difficult — but when turned out, the results were really amazing.

Suffers Broken Leg

Monday Norman Silflow broke his left leg at football practice. The injury is a very serious one, it being the lower end of the femur bone. Surgery was needed to put screws in the broken member. His leg is encased in a cast from foot to waist. He is still in the St. Joseph's hospital at Lewiston.

Wins Scholarship

Kathleen Crawford, Kendrick, has been awarded a \$50.00 scholarship at the U. of I., offered by the Moscow Lions Club.

JULIAETTA SCHOOL SALE

Don't forget the annual Juliaetta School Sale — Friday, Nov. 7, at 7:30 p. m. — Singing (by the children); Movies (educational picture); Sale (auction), and Lunch (pie, ice cream, coffee). Friends of the school are asked to donate articles to be sold. Proceeds to school activities. Suggested articles are: Fruit, butter, eggs, vegetables, cream, poultry, (alive or dressed), grain, beans, dishes, clothing, furniture, tools, etc. Bring the whole family. Adv.

Get the features that really count!



9 cu. ft. size
\$399.75
NEW LOW TERMS!

CYCLAMATIC FRIGIDAIRE

with Roll-To-You Shelves — Automatic Defrosting

- See:
- Separate Food Freezer where frozen foods never thaw!
 - Aluminum shelves roll out — all the way!
 - New LEVELCOLD — powered by the Meter-Miser.
 - Also available in Lifetime Porcelain Exterior Finish.

THE FINEST OF 15 MILLION FRIGIDAIRE!

ABRAMS HARDWARE

Frank Abrams
Phone 051 Kendrick

WE DELIVER

MOBIL OIL MOBIL GAS
MOBIL HEAT 100
MOBIL FUEL DIESEL
MOBIL LUBRICANTS
(Of All Kinds)

We Will Order Any Special Items Desired
MOBIL TIRE & BATTERIES

We Give S & H Green Stamps on All Burning Oil — if paid by 15th month following

J. M. & M. F. HEDLER

Representing The
General Petroleum Corp.

KENDRICK, IDAHO
Office Phone 061 Residence Dial-2628

Get It Today!

- NEW FARMALL MODEL H
- USED CHEVROLET PICKUP
- USED TD6 TRACTOR
- USED FORD TRUCK
- USED 3/4-TON K2 INTERNATIONAL
- EZE FLOW SPREADERS
- USED FARMALL MODEL H
- NEW 20-FOOT FREEZERS
- NEW SUPPLY CEMENT
- NEW SHIPMENT GYPSUM

Kendrick Bean Growers

KENDRICK Phone 971 IDAHO



MESSENGER SERVICE

How would you like to have a staff of competent messenger boys at your disposal, always ready to go anywhere with cash to settle your obligations, returning promptly with your receipt?

In effect, you have such a staff available when you maintain a Checking Account at our bank. Surely, this is the safe, modern, convenient way to handle your financial affairs.

United States Savings Bonds May Be Purchased At This Bank

THE FARMERS BANK

Herman Meyer, President
Fred W. Silflow, Vice President
A. O. Kanikkeberg, Cashier
L. D. Crocker, Asst. Cashier

Member Federal Deposit Insurance Corporation

THE KENDRICK GAZETTE

Published every Thursday morning at Kendrick, Idaho, by W. L. McCreary
Subscription, \$2.00 per year
Strictly Independent in Politics
Entered at the postoffice at Kendrick, Idaho, as second class mail matter.

Wednesday's Markets

Forty Fold, bulk	\$2.08
Federation, bulk	\$2.08
Rex, bulk	\$2.08
Club, bulk	\$2.08
Red, bulk	\$2.08
Oats, 100, bulk	\$2.90
Barley, 100, bulk	\$2.90
Hannah Barley, 100, bulk	\$3.30
Beans	
Small Whites, 100	\$9.00
Flats, 100	(No Quote)
Great Northerns, 100	(No Quote)
Reds, 100	\$8.50
Pintos, 100	(No Quote)
Clover Seed	
Alsike Clover, 100	(No Quote)
White Dutch, 100	(No Quote)
Egg Prices — Dozen	
Large, Grade A	63c
Medium, Grade A	
Small, Grade A	
Butter	
Butterfat	70c
Butter, lb., retail	82c

CHURCH NOTICES

Kendrick Community Church
Rev. F. C. Schmidt, Pastor
Morning Worship at 9:30 o'clock.
Sunday School 10:30 a. m.
Choir practice Thursday evening at 7:00 o'clock.

Juliaetta Methodist Church
F. C. Schmidt, Pastor
Sunday School at 10:00 a. m.
Preaching Service at 7:30 p. m.

Cameron Emmanuel Church
Rev. Theo. Meska, Pastor
Sunday School at 10:00 a. m.
Worship Service 10:45 a. m.

Juliaetta Lutheran Church
Rev. Theo. Meska, Pastor
Sunday School 8:45 a. m.
Worship Service 9:30 a. m.

Leland Methodist Church
Rev. Geo. F. Calvert, Pastor
Sunday School at 10:00 a. m.
Worship Service at 11:00 a. m.

Kendrick Assembly of God Church
Welcomes You
Rev. K. L. Hardin, Pastor
Thursday Bible Study 7:45 p. m.
Sunday School at 10:00 a. m.
Morning Worship at 11:00.
Christ's Ambassadors 6:45 p. m.
Evangelistic Service 7:45 p. m.
Monday night Missionary service at 7:45. Rev. and Mrs. R. Stanley Shaw, returned missionaries from India will be with us. See them in native costumes. They will show a color film on India which they took while there. The public is cordially invited to these services.

Cheese of all kinds at Blewett's Grocery-Market, Kendrick. adv.

FRESH STOCK CEMENT
100-lb. Bag
\$1.35

J. M. Mead Lumber Products Co.
Juliaetta Dial-2401

WRECKER SERVICE
DAY OR NIGHT
LAPWAI GARAGE
JAY STOUT
Phone 422 Lapwai

FOR LIGHT HAULING
CALL
051
ART FOSTER
Kendrick

Dr. Charles Simmons
Optometrist
310 Welsgerber Building
(Over Owl Drug Store)
Lewiston Phone 1144 Idaho

COAL, PRESTO-LOGS and Wood
Commercial Hauling
ED. NELSON
Phone 573 Kendrick

PLUMBING!
Service Anywhere
LEWIS LINDQUIST
Phone Dial-2368 — Juliaetta

FRIENDLY THOUGHTFUL COURTEOUS DEPENDABLE

Vassar Rawls Funeral Home
Over Half a Century of Service
LEWISTON, IDAHO

For Better Health
For giving relief from painful conditions, such as headaches, back ache, sciatic, etc., osteopathy has established a wonderful reputation. The same is true of many chronic disorders. If you are ill investigate osteopathy for yourself. Many people are healthier and happier today because they investigated and tried osteopathy "yesterday."
...Dr. P. D. Pauls - Osteopathic Physician - 515 Brier Bldg., Lewiston. Hours 9 to 12 and 1:30 to 5. Wed. and Sat. till noon only. Telephone 2719.

BREAD -

A 1 1/2-LB. LOAF ONLY 23c

WHY PAY MORE?

We Will Double Wrap for Hunters

PHONE 1161 — DAY OR NIGHT

Kendrick Bakery

"SCIENTIFIC SOIL ANALYSIS PAID OFF FOR ME"



THE DOWN-TO-EARTH COUNSEL Mr. Kausche profited by is available to farmers anywhere in the Northwest. Fertilizers are in short supply. Contact us NOW for spring fertilizer recommendations.

Merle Kausche, farmer-stockman of Pomeroy, Wash., sought our professional advice on fertilizing needs when he decided to recrop a field to barley. The field had produced 45 bushels of fall wheat in 1951. They based their recommendations on chemical soil analyses. The 20 acres I left in midfield (unfertilized check strip) produced grain too short for anything but pasture. The fertilized area produced 1500 lbs. per acre. That's the sort of 'pay-dirt' help KFMS can give any farmer."

Send for FREE folders



Undergo Tonsillectomies
Monday, Carrol Lynn, daughter of Mr. and Mrs. Chester Vincent, Leland underwent a tonsillectomy at the office of Dr. D. A. Christensen.
On Tuesday Eldon Fry, son of Mr. and Mrs. Ervin Fry, Southwick, also underwent a tonsillectomy. Both are recovering nicely.

W. S. C. S. Thursday
Mrs. Norla Callison will entertain the W. S. C. S. in her home Thursday afternoon at 2:00 o'clock. Mrs. Guy Wicks of Moscow will be the guest speaker.
Hostesses will include Mrs. Harley Eichner, Mrs. Bob Nelson and Mrs. Norla Callison.
A cordial invitation is extended to members and friends. Anyone needing transportation is asked to call Mrs. Ben P. Cook.

My Sincere Thanks To You
I sincerely appreciate the faith shown in me by electing me to the office of County Commissioner, Latah County. — Eugene Taylor.

Boost for Kendrick — it's home!
NOTICE TO CREDITORS
In The Probate Court of Latah County, State of Idaho

In The Matter of the Estate of Margaret Lucken, Deceased.
Notice is hereby given by the undersigned administrator of the estate of Margaret Lucken, deceased, to the creditors of and all persons having a claim against the deceased to exhibit them with the necessary vouchers within four months after the 23rd day of October, 1952, the date of the first publication of this notice, to the said administrator at the office of Abe McGregor Goff, Idaho First National Bank Building, Moscow, Idaho, the same being the place for the transaction of the business of said estate in Latah County, State of Idaho.
Dated this 21st day of October, 1952.

ED. HALSETH,
Administrator of the estate of Margaret Lucken, deceased.
First pub. Oct. 23rd, 1952.
Last pub. Nov. 20, 1952.
Abe McGregor Goff, Atty.

WANT ADS.
G. M. C. SALES
J. M. HEDLER & SON, Agents
Gray-Webb Buick Co.
Kendrick, Idaho

FOR LOWEST PRICES read the ad. of Blewett's Cash Grocery on the back page. 7-2

FOR SALE — 160-acre ranch, 60 in cultivation (level) on Cedar ridge, or will trade for smaller place closer in. Marion Rowden, Kendrick. 36-tf.

FOR SALE — CHEAP — Wood and coal burning floor furnace. Call Rev. F. C. Schmidt. 44-2

FOR SALE — Screw cutting metal lathe. B. F. Nesbit, Kendrick. 44-tf

FOR SALE — 257 Roberts, Lyman receiver rear, gold bead front, 2 boxes shells, \$50.00. C. E. Harris, Kendrick. 46-2x

FOR SALE BY OWNER — Kendrick Hotel; good income property. See Elton Wilson at Kendrick Hotel. 43-tf

FOR SALE — Registered Hereford bull, calved May 17, 1951. Grant Bateman, Kendrick. 46-3x

Sending Gift Parcels Overseas
Persons planning to send holiday gift packages to friends and relatives abroad should check immediately on the customs regulations of the foreign country involved as well as the United States export and postal regulations.

Sometimes playing Santa Claus is not as easy as it sounds. For instance, nearly every foreign country has some type of customs regulations concerning the entry of gift packages — and these regulations vary with each country.

Correct information on these regulations governing shipments of gift packages from the United States to 68 different countries may be obtained from a series of bulletins issued by the Department of Commerce and available on request from the Seattle Regional Office, Room 123, U. S. Court House. In making the request, the country or countries of interest must be specifically indicated.

Such accurate information on the types of articles which may be sent to various countries — whether or not they are exempt from foreign duties or taxes — maximum sizes and package weights — marking and addressing requirements — may save the gift sender avoidable and troublesome delay as well as give assurance that the foreign recipient will receive his holiday parcel.

Open Season On Porcupines
E. L. Williams, Latah county farm forester, has asked the help of the public and particularly loggers and farmers in the program to reduce damage being done to forest land by the porcupine. Each year the porcupine takes a large toll of healthy trees.

There is a popular belief that it is unlawful to kill the porcupine. According to Williams, this is not the truth. Everyone should be encouraged to eliminate this menace to the forests.

In 1944 the U. S. Forest Service conducted a survey to determine porcupine damage. The results showed that porcupines kill more trees each year in the United States than forest fires. The Forest Service now conducts a contest annually among its employees to see who can kill the most of these destroyers of young trees.

The porcupine prefers the younger trees and the younger bark of those trees. He is frequently seen about ten feet from the top of a pole-sized tree, busy at his work of eating a strip of tasty bark, which girdles and kills the tree.

The porcupine is a difficult animal to kill if not hit in the right place. Blows can be showered on his body and do no damage, but a light blow across the snout will put an end to his tree killing days.

Times That Try Men's Souls
"We need more time for reading, relaxing and singing in the bath," says Dr. Herbert E. Alden, assistant professor of clinical medicine at Emory University in Atlanta, Ga. "The present day bath methods and manners," he continues, "are such as to take us away from the spiritual and physical comforts of the lazy, timeless, restful immersion of our bodies in tubs of warm water."

From which we judge that our continued immersion in hot water is doing us no good. And then, too, it's not easy to find something to sing about... and the way they write songs these days, even the notes are too high — when Petrillo gets through with them!

Like rabbit? Get them at Blewett's Grocery-Market, Kendrick. 1-adv.

STOP AT BURT'S FOR LUNCH

OR

A FULL-SIZED MEAL

Top it off with a piece of our HOME MADE PIE. It's Delicious.



BURT'S CONFECTIONERY
BURT AND VERA SOUDERS

Meet Your Friends and Enjoy Yourself

At The **ANTELOPE INN**
SANDWICHES

SOFT DRINKS

ICE COLD BEER

WAYNE BAILIE

Get Fresh Fish at Blewett's Market Thursday!

In Stock Gypsum - Landplaster

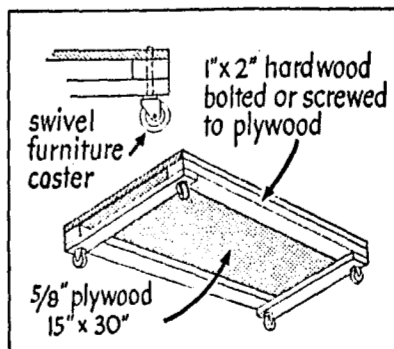
Kendrick Rochdale Company

KENDRICK, IDAHO

The EASY-DOES-IT CORNER

By ED. DEOBALD
How To Keep Your Back Off Cold Garage Floor

If you prefer doing your own auto maintenance work, this easily-made creeper designed by one of our neighbors ought to save you time and trouble.



Consumption of "RPM Sub-Zero" 5W is less than two-thirds that of ordinary 5W oils, no greater than any 10W oil, as proved by road tests and actual service. It also cuts gas consumption by reducing need for idling and choking.

Call us about this economical cold weather lubricant.



A Standard Oil Company of California Product

You can help prevent below-zero driving troubles by filling your crankcase with RPM SUB-ZERO Motor Oil 5W, which pours and will circulate freely at temperatures down to 65° below 0° F!

Helps lessen battery, drag too, because it helps your engine get started quickly.

Distributed by

ED. DEOBALD
PHONE 713 KENDRICK

COMPLETE Tonsorial Service
Our Aim Is To Please

Dick's Barber Shop
DICK CUDDY KENDRICK

CROCKER'S GUN SHOP
Kendrick, Idaho
GUN BLUING, REPAIRING NEW SIGHTS
GUNS AND AMMUNITION SHOP AT RESIDENCE

The Kendrick Beauty Shoppe
INEZ ARMITAGE
OPEN TUESDAYS THROUGH FRIDAYS EACH WEEK
Monday or Saturday Work by Appointment Only
PHONE 841 KENDRICK



EVERY 2 MINUTES A DWELLING BURNS

Your's may be NEXT
Don't be under-insured. See us now for complete and proper protection. Dependable service!

NORTHWESTERN
MUTUAL FIRE ASSOCIATION
MARVIN LONG AGENCY
KENDRICK, IDAHO

DR. GEO. W. McKEEVER
Dental Surgeon
Office Phone 812
Kendrick, Idaho

Dr. D. A. Christensen
M. D.
Office Hours
10:00 A. M. To 5:00 P. M.
Emergency Call at All Hours on Notification
Office In Kendrick State Bank Bldg.

Ship By Truck
Fast, Safe, Dependable
Door-to-Door Delivery

Walter Brocke
Office Phone 622 Residence 621

BROWER-WANN CO.
FUNERAL DIRECTORS
1434 Main, Lewiston, Idaho
Our aim is to perfect ways and means of bringing you comfort and privacy, and above all, Specialized Service.
LEWISTON PHONE 275

Potlatch Chief Sez



Published by the Kendrick Creamery

HELLO, THERE, FOLKS —

Well, now that the election shouting a tumult is over — we can once more get down to business. Let's talk first about locker boxes — for the hunting season is still going full blast — and meat is coming into Kendrick almost daily.

We have a locker box that will just fit your needs — at a modest price. Come in and look them over.

A minister in New York phoned another minister in California. "Is this a station-to-station call?" asked the operator.

"No," was the reply. "Parson to parson!"

Like a stack of hot cakes, bacon and fruit juice for breakfast? Who doesn't? But you'll find it's all the more tasty if you put several squares of that good "Potlatch Chief" butter between those hotcakes, let it melt and mingle

with the syrup. Man, it's good.

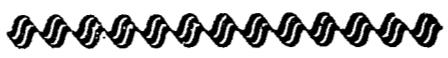
Traffic Cop: "Hey, you, slow down that truck. Haven't you got a governor on it?"

Weary Driver: "Naw, boss — de Governor is back at the Capitol. That's fertilizer you smells!"

Folks — Now that most farm income has ceased, why not cash in on what remains — your cows. Feed them a bit of hay, some grain, see that they have lots of water and salt — and then sell us that cream. You'll like our money and our service — and we return a steam-sterilized, ready to use cream can. Try us, won't you?

Niece (in picture gallery): "See here, Auntie, this is the famous 'Angelus' by Millet."

Aunt: "Well, I never! That man had a nerve to copy the calendar that has hung upon my kitchen 10 years!"



Kendrick Theatre

FRIDAY, SATURDAY, NOV. 7 & 8

RETURN OF THE TEXAN

— Starring —
DALE ROBERTSON
JOANNE DRU
WALTER BRENNAN

News and Cartoon

SHOWS BEGIN AT 7:00 P. M.

20c Admission 50c



WHAT CAMERON FOLKS ARE DOING THESE DAYS

The Cameron Home Demonstration Club will meet on Monday, November 10th, at the Ladies Aid hall. Their project will be "Bread Baking."

Mrs. Albert Glenn underwent major surgery at the St. Joseph's hospital at Lewiston, Monday.

Mr. and Mrs. Fred Newman have purchased the 200-acre Richard Cosner farm in the Cavendish-Teakman area.

Helen Mielke attended the official visit of the Worthy Grand Matron of Idaho, O. E. S., at Orofino, last Friday evening.

Mrs. C. H. Fry and son Don, Mrs. Herbert Millard, Mr. and Mrs. Aug. F. Wegner and sons Wayne and Vern, and Mrs. Wilbur Tarbet and family were dinner guests of Mrs. Glen Wegner and children Tuesday evening. The dinner honored Reggie Wegner's birthday anniversary.

The Cameron Home Demonstration Club met at the home of Mrs. John Blankenship Wednesday afternoon. They spent the afternoon painting weed bouquets. Mrs. Ed. Nelson of Kendrick was a guest of the Club.

Linda Newman was a dinner guest of Helen and Ted Mielke, Thursday. Mr. and Mrs. Henry Wendt were Thursday evening visitors in the home of Mr. and Mrs. Kenneth Wilken.

Reggie Wegner visited with Larry Blankenship, Sunday afternoon.

Mr. and Mrs. August Brammer spent Sunday afternoon with Mr. and Mrs. Otto Kruger.

Mr. and Mrs. Dan Sullivan and family of Cream ridge and Mr. and Mrs. Glen Wegner and family were Sunday dinner guests of Mr. and Mrs. Aug. F. Wegner and sons. The dinner was given in observance of August's birthday anniversary.

Mr. and Mrs. Ed. Mielke and daughter Patricia visited with De Ann Mielke at the U. of I., Thursday evening.

Mr. and Mrs. Walter Koeppe and family and Mr. and Mrs. Harold Silflow and daughter were Tuesday evening visitors in the Mr. and Mrs. Kenneth Wilken home. Bill Hadley of Juliaetta spent Sat-

urday with Mr. and Mrs. Harry Newman.

Mr. and Mrs. Ted Weyen and family were Wednesday evening guests of Mr. and Mrs. Willard Schoeffler. Mrs. Ted Weyen and children spent Sunday with Mrs. Billy Weyen and daughters.

Mr. and Mrs. John Blankenship and children visited with Mr. and Mrs. Raymond Blankenship at Crescent, Friday.

Mr. and Mrs. Kenneth Wilken visited with Mr. and Mrs. George Wilken in Kendrick, Sunday.

Mr. and Mrs. Ed. Mielke and daughter Patricia were Wednesday supper guests of Mr. and Mrs. Ervin Lohman.

Mrs. Willard Schoeffler and daughters Fonda and Marcia visited with her parents, Mr. and Mrs. Frank Kelley in Clarkston, Friday.

GOLDEN RULE

Oct. 28 — The Southwick Homemakers Club met with Mrs. Denzil Kuykendall on Thursday. Thirteen members and five visitors enjoyed the delicious dinner, after which Mrs. Odetta Skaggs demonstrated cake decorating. Our next meeting will be with Mrs. Lois Thornton on Nov. 13. At that time we will hold our yearly election and have a "Chicken Cleaning" demonstration.

Mr. and Mrs. Henry Burnstein of Spokane visited in the home of his sister, Mrs. D. V. Kuykendall and family, Thursday and Friday.

Mr. and Mrs. Roy Roy Martin and family of eight children, the latter scattered over the country at Spokane, Coeur d'Alene, Grangemont and Lewiston, gathered at the Engstrom Studio in Lewiston, Sunday, and had a family group picture taken.

Nov. 4 — Mrs. Glen Betts went to Camp Y, near Dent, last Sunday to visit the Don Christensen family, returning home Wednesday.

Sonjha Hoisath, who is attending the U. of I. at Moscow, spent the week-end here with friends and relatives.

Loy Martin of Grangemont spent the week-end here at the Roy Martin home.

Mr. and Mrs. Don Christensen and family of Camp Y spent the week-end at the Betts home.

Mr. and Mrs. Lawrence Cox and her brother, Dan Roby, of Tammany, visited at the Betts home Sunday. The Carl Finke family of Orofino were evening visitors.

Mrs. Roy Martin, Mrs. D. V. Kuykendall, Alma Betts and Mrs. George Wilken, the latter of Kendrick, motored to Lewiston Friday.

Joan Lawrence accompanied Sonjha Hoisath to Moscow Sunday evening, and plans to return home today (Tuesday).

Mr. and Mrs. Oscar Lawrence and daughters spent Saturday in Lewiston.

D. V. Kuykendall was an Elk River business visitor Monday.

Today is election day — and news seems pretty scarce. We hope you added to the news (election returns) by voting.

Circle November 13

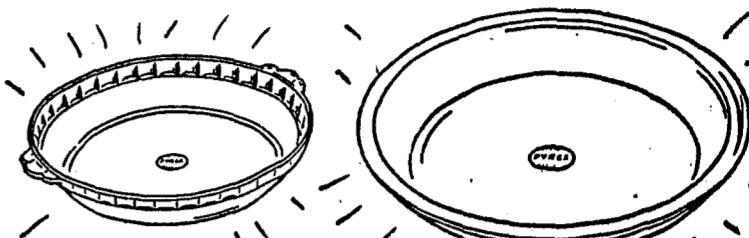
Circle Nov. 13 on your calendar — remembering the bazaar, supper and grab box at the Community Church. Serving begins at 5:30. Adv.

NOW'S THE TIME TO BUY PYREX WARE

Do your cooking the modern, easy way!

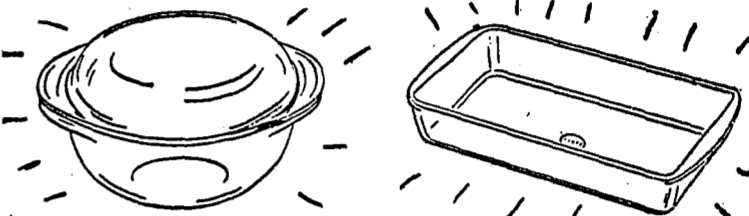
- Watch food cook to perfection every time.
- Smooth glass surface—so easy to wash clean.
- Food cooked in PYREX Ware tastes better.
- Bake, serve, store all in the same PYREX dish.

FOR THE BEST PIES YOU EVER MADE



9" Flavor-Saver Pie Plate with high fluted edges. NEW! 11 1/2" Pie Plate for extra large delicious pies.

YOUR CHOICE—ONLY 59c EACH



Utility Cover Casserole Use cover as deep pie plate. 1 1/2 qt. size 89c, 2 qt. size \$1.00. 1 qt. size 79c

Utility Dish With dozens of uses. 2 qt. size 89c, 3 qt. size \$1.00. 1 qt. size 69c



Round Cake Dish Get two layer cakes. 8 1/2" size. 59c

Clear Bowl Set For mixing, baking, serving, storing. Complete set \$1.39

N. B. LONG & SONS

Phone 751 Phone 751

ELECTRICAL WIRING

PHIL JOHNS, Licensed Contractor
Phone: Dial-2522 Juliaetta

Fresh Fish every Thursday at Blewett's Market

WEEK-END Money-Savers! — AT — BLEWETT'S

- Sun Girl Oleo Margarine — Colored 2 lbs. 49c
- Dude Ranch Jelly — 4 glass mugs \$1.00
- Giant Rinso — pkg. 43c
- Regular Rinso — package 23c
- Meco Canned Grapefruit — 2 cans 35c
- Shurfine Apricots No. 2 1/2 can — 2 for 67c
- Morrel's Snack Canned Lunch Meat Can 44c
- Snow's Condensed Clam Chowder Can 28c
- Delicious Apples — Box \$2.39
- IN OUR MEAT DEPARTMENT
- Morrel Pride Hams (Small) half or whole — lb. 63c

TO BE GIVEN AWAY FREE

OCTOBER 31st
AN 18-PIECE SET PEARL LUSTER HEAT PROOF DISHES

BLEWETT'S CASH GROCERY

PHONE 891 KENDRICK PHONE 891

See Us For

- SACKS TWINE
- SALT
- POULTRY MASHES
- ROLLING
- ROLLED FEED

Lewiston Grain Growers

Phone 591 KENDRICK Phone 591

FARM MACHINERY IS HIGH
Are You Fully Insured For Most All Hazards?
MARVIN LONG AGENCY
Phone 751 or 603

SHORTS FUNERAL CHAPEL
Moscow, Idaho Phone 31001

SHORTORDERS — YOU WILL LIKE OUR FOOD AND SERVICE

SANDWICHES

Try Our "Hamburger Special" — You'll Like It — It's Generous — It's Delicious

FOUNTAIN SERVICE OF ALL KINDS
TRY ONE OF OUR DELICIOUS SHAKES OR SUNDAES

ICE COLD BEER

Come In And Get Acquainted

Kendrick Cafe

TOM, and ANN

SPECIALS

- PEARS — Our Value Brand
- No. 2 1/2 tin 31c
- 2 tins 59c
- Case of 24 tins \$6.25
- M. J. B. Quick Cooking Rice., 8-oz. pkg. each pkg. contains 10c coupon good on M. J. B. Coffee — 2 pkgs. 27c

Get Your Order In Early for that Thanksgiving Turkey

Come in and ask how to WIN A THANKSGIVING TURKEY — to be Given Away, Saturday, Nov. 22

Kendrick Table Supply

Phone 581 WALLACE D. MILLER Kendrick

GOOD-YEAR TIRES

don't just buy a tire

Choose a GOOD-YEAR DeLuxe

Tests show Goodyear DeLuxe tires give longer tread wear... an extra margin of service and safety that swings the balance in favor of Goodyear. Buy wisely... go farther, safer... go Goodyear!

KENDRICK GARAGE CO.
KENDRICK, IDAHO
E. A. DEOBALD, Propr.